

REGENT'S

Timer22 Timer23

INTERVAL TIMERS

Features

- 4 function timers, including on-delay, off-delay and interval.
- Compatible with PLCs, sensors, solenoids, contactors and more.
- Complete isolation between line, load, and logic circuits.
- Compact size. DIN rail or panel mount.
- LED load and logic indicators.
- Regent's 2 Year Warranty.



Ideal for:

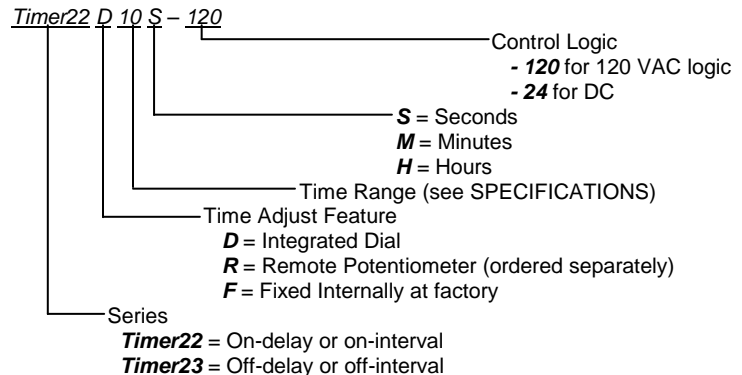
- ▶ Carton gluing
- ▶ Heat sealing film bags and pouches
- ▶ Motion control
- ▶ Dot of liquid application
- ▶ Operation directly from prox switches and PLCs
- ▶ Cut to length control
- ▶ Precise chemical injection
- ▶ Lubrication control
- ▶ Filling machine control

Four operating modes on the *Timer22* let you select delay on energize or interval on energize, and normally-open or normally-closed operation. Four operating modes on the *Timer23* let you select off delay or off interval, and normally-open or normally-closed operation.

The built-in dial or optional remote adjustment makes setting time delay easy.

The *Timer22* and *Timer23* can be triggered by a proximity sensor, limit switch, photoelectric control, PLC output module, etc. The solid-state output switch is designed to control industrial loads or logic inputs. The output switch on the 24 VDC models features a fast flux decay circuit for quick turn-off of inductive loads.

PART NUMBER BUILDER



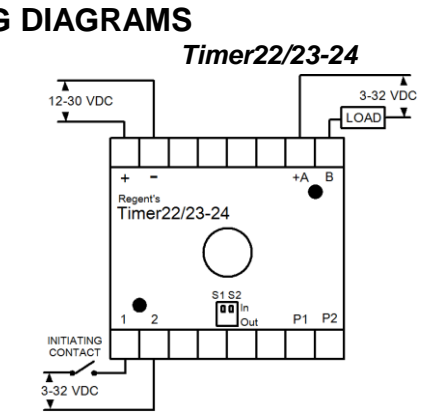
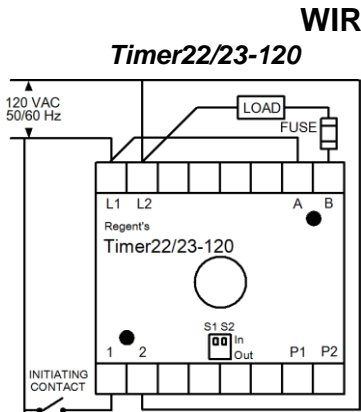
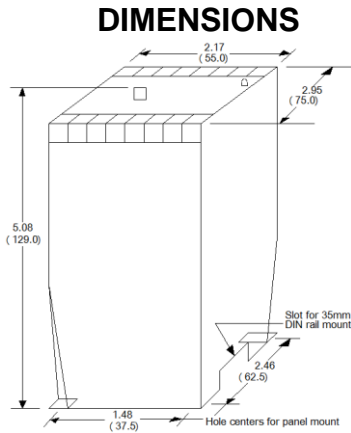
FOR MORE INFORMATION CALL 203-732-6200
OR VISIT US ONLINE AT www.regentcontrols.com



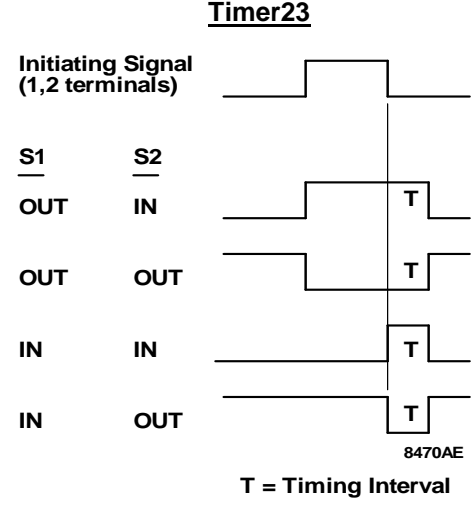
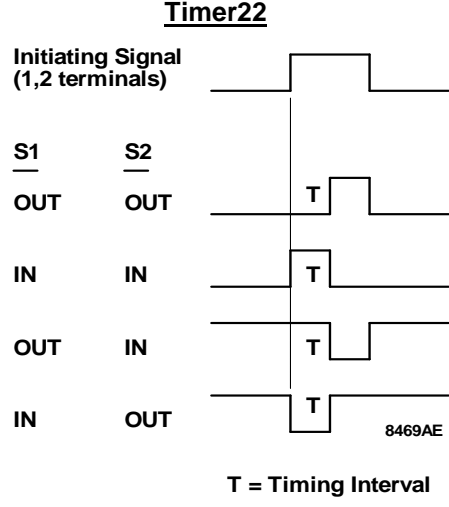
e-mail: sales@regentcontrols.com



Regent's *Timer22 and Timer23* Interval Timers



TIMING DIAGRAMS



NOTE: Specify Remote option ('R' time adjust feature, see part number builder) if time adjustment potentiometers are to be mounted away from timer. Connect remote potentiometer to terminals P1,P2.

SPECIFICATIONS	Timer22/23-120	Timer22/23-24
Line Input (L1,L2 or +,-)	120 VAC +/- 20%, 50/60 Hz, 3 VA	12-30 VDC, 5% ripple max.
Logic Input (1,2)	120 VAC +/- 20%, 25 mA (will not operate on leakage below 10 mA)	3-32 VDC, 1 mA burden at 3 VDC, 35 mA burden at 32 VDC
Load Rating (A,B) Voltage Current Off-state leakage On-state voltage drop Minimum load current Recommended fuse	120 VAC +/- 20% 2A cont., 5A inrush, inductive or resistive less than 2 mA at 65°C 1 VAC typical at rated current 15 mA Littelfuse 322005	3-32 VDC 1 A max less than 100 uA 1 VDC max less than 1 mA Buss PCB1
Timing Time range (min. time) (other ranges available)	0.5 sec (25 msec) 5 min (3 sec) 1 sec (40 msec) 20 min (12 sec) 5 sec (50 msec) 100 min (60 sec) 10 sec (100 msec) 2 hrs (72 sec) 50 sec (0.5 sec) 4 hrs (144 sec) 100 sec (1 sec)	0.1 sec (2 msec) 0.5 sec (5 msec) 1 sec (10 msec) 5 sec (50 msec) 10 sec (100 msec) 50 sec (0.5 sec)
Repeat accuracy	+/- 0.5% of dial setting	1 msec or +/- 0.25% of dial setting, whichever is greater
Calibration accuracy	+/- 5% of time range	+/- 5% of time range
Minimum initiate time	< 16 msec	< 1 msec
Reset time	< 40 msec	< 1 msec
Temperature	0 to 65°C (32 to 149°F)	0 to 65°C (32 to 149°F)

FOR MORE INFORMATION CALL 203-732-6200
OR VISIT US ONLINE AT www.regentcontrols.com



e-mail: sales@regentcontrols.com

