

REGENT'S

TM2222

MOTION CONTROL/ONE-SHOT TIMER

Features

- 2 function timer: Motion Control (retriggerable) or One-Shot (non-retriggerable).
- Compatible with PLCs, sensors, solenoids, contactors and more.
- Complete isolation between line, load, and logic circuits.
- Compact size. DIN rail or panel mount.
- LED load and logic indicators.
- Regent's 2 Year Warranty.

Ideal for:

- ▶ Watchdog timer for PLC
- ▶ Low speed/stop motion detection
- ▶ Missing product detection
- ▶ Pulse stretcher to PLC input
- ▶ Switch debouncing
- ▶ Carton gluing
- ▶ Time interval control independent of PLC scan time
- ▶ Precision fill time control
- ▶ Jam detection



The TM2222 can be used as a Motion Control Timer or a One-Shot Timer by a simple switch setting.

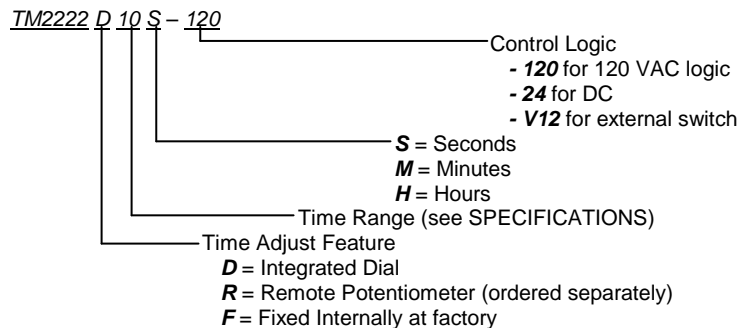
As a motion control timer, the TM2222 is ideal for monitoring products, motion or control systems. The timer keeps a load energized as long as it is retriggered within the adjustable timing period.

As a one-shot timer, the TM2222 provides precisely timed one-shot energization of the load with momentary or maintained controlling contact.

In either setting, the TM2222 can be triggered by a proximity sensor, limit switch, photoelectric control, PLC output module, etc. using sinking or sourcing switching.

The solid-state output is designed to control industrial loads or logic inputs. The 24 VDC model features a fast flux decay circuit for quick turn-off of inductive loads and is convertible from normally-open to normally closed.

PART NUMBER BUILDER



FOR MORE INFORMATION CALL 203-732-6200
OR VISIT US ONLINE AT www.regentcontrols.com

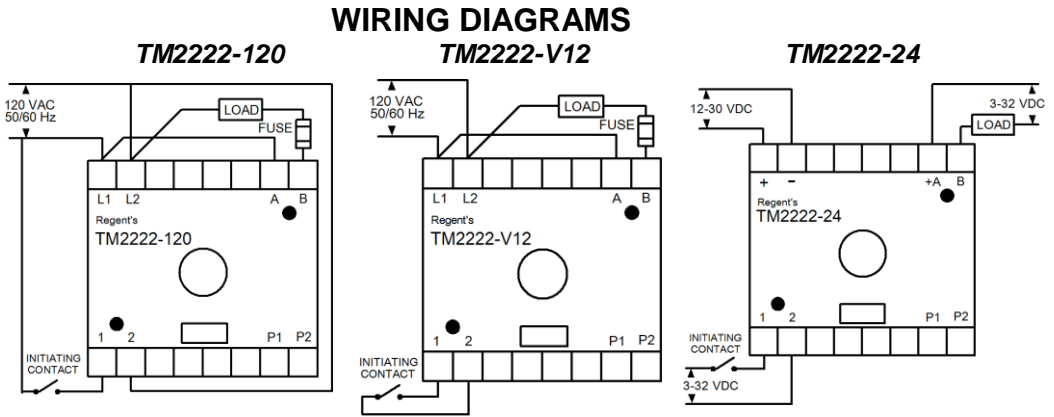
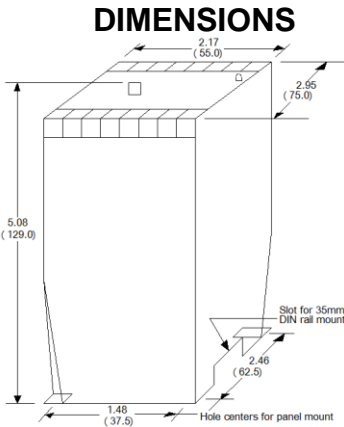


e-mail: sales@regentcontrols.com

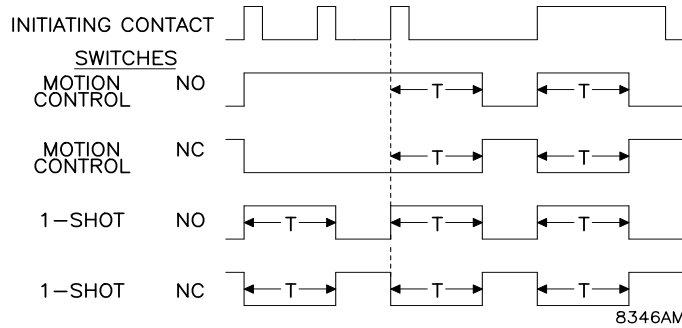


Regent's TM2222

Motion Control/One-Shot Timer



TIMING DIAGRAM



OPERATION (refer to TIMING DIAGRAM; note: NC mode available on TM2222-24 only)

Motion Control Mode (mode switch in Motion Control position):

1. Load energizes (de-energizes in NC mode) when initiating contact closes (may be momentary or maintained).
2. Load remains energized (de-energized in NC mode) as long as initiating contact is opened and reclosed during timing interval.

One-Shot Mode (mode switch in One-Shot position):

1. Load energizes (de-energizes in NC mode) when initiating contact closes (may be momentary or maintained). Opening and closing contact after timing begins has no effect.
2. Load de-energizes (energizes in NC mode) at the end of timing interval.

SPECIFICATIONS	TM2222-120	TM2222-V12	TM2222-24
Line Input (L1,L2 or +,-)	120 VAC +/- 20%, 50/60 Hz, 3 VA	120 VAC +/- 20%, 50/60 Hz, 3 VA	12-30 VDC, 5% ripple max.
Logic Input (1,2)	120 VAC +/- 20%, 25 mA (will not operate on leakage below 10 mA)	Turn on: <25K ohms, Turn off: >50K ohms 1 mA max current	3-32 VDC, 1 mA burden at 3 VDC, 35 mA burden at 32 VDC
Load Rating (A,B)	120 VAC +/- 20%	120 VAC +/- 20%	3-32 VDC
Voltage	2A cont., 5A inrush	2A cont., 5A inrush	1 A max
Current	less than 2 mA	less than 2 mA	less than 100 uA
Off-state leakage	1 VAC typical at rated current	1 VAC typical at rated current	1 VDC max
On-state voltage drop	15 mA	15 mA	less than 1 mA
Minimum load current	Littlefuse 322005	Littlefuse 322005	Buss PCB1
Recommended fuse			
Timing			
Time range (min. time)	0.5 sec (25 msec) 10 sec (100 msec)	5 min (3 sec) 2 hrs (72 sec)	0.1 sec (2 msec) 5 sec (50 msec)
(other ranges available)	1 sec (40 msec) 50 sec (0.5 sec)	20 min (12 sec) 4 hrs (144 sec)	0.5 sec (5 msec) 10 sec (100 msec)
	5 sec (50 msec) 100 sec (1 sec)	100 min (60 sec)	1 sec (10 msec) 50 sec (0.5 sec)
Repeat accuracy	+/- 0.5% of dial setting	+/- 0.5% of dial setting	1 msec or +/- 0.25% of dial setting, whichever is greater
Calibration accuracy	+/- 5% of time range	+/- 5% of time range	+/- 5% of time range
Minimum initiate time	< 16 msec	< 1 msec	< 1 msec
Reset time	< 40 msec	< 40 msec	750 usec typical
Temperature	0 to 65°C (32 to 149°F)	0 to 65°C (32 to 149°F)	0 to 65°C (32 to 149°F)

FOR MORE INFORMATION CALL 203-732-6200



e-mail: sales@regentcontrols.com



OR VISIT US ONLINE AT www.regentcontrols.com