

REGENT'S

TM102-32

DC ONE-SHOT/RETRIGGERABLE TIMER

Features

- 4-in-1 Timer; 2 Functions (One-Shot, Retriggerable) each with 2 modes of operation (On-Off, Off-On).
- Logic and load flexibility. Compatible with PLCs, sensors, solenoids, contactors and more
- Complete isolation between line, load, and logic circuits.
- Compact size. DIN rail or panel mount.
- LED load and logic indicators.
- Regent's 2 Year Warranty.



Ideal for:

- ▶ Hot melt glue control
- ▶ Faulty part ejection
- ▶ Conveyor jam control
- ▶ Positioning systems

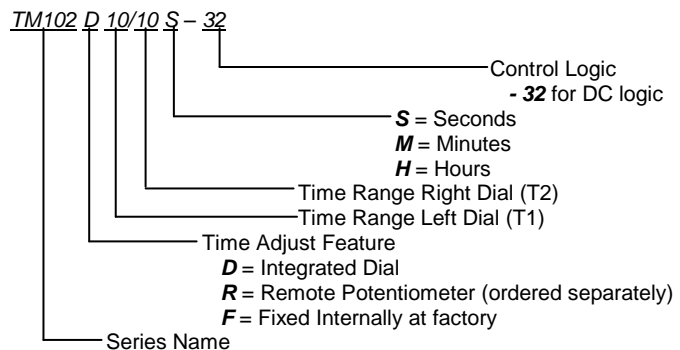
Our most popular two-dial timer for DC control systems offers excellent repeatability with the shortest possible response times. No need to worry about programming—just set it and go!

Two operating modes let you select One-Shot or Retriggerable operation. You can also select On-delay or Off-delay operation.

The popular Delayed One-Shot mode is used for glue control, parts ejection and positioning systems. Built-in dials or optional remote adjustment makes setting time delays easy.

The solid-state output switch features a fast flux decay circuit for quick turn-off of inductive loads.

PART NUMBER BUILDER



FOR MORE INFORMATION CALL 203-732-6200
OR VISIT US ONLINE AT www.regentcontrols.com

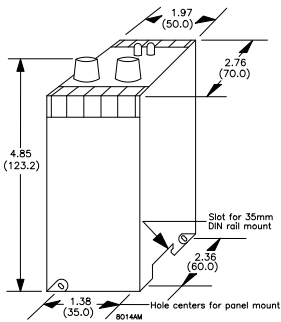


e-mail: sales@regentcontrols.com

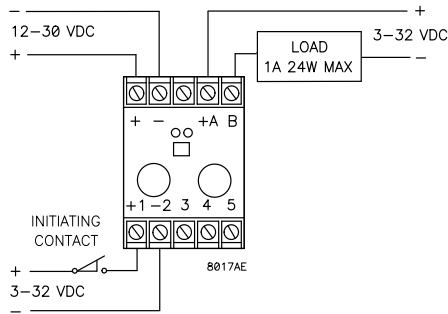


Regent's **TM102-32** DC One-Shot/Retriggerable Timer

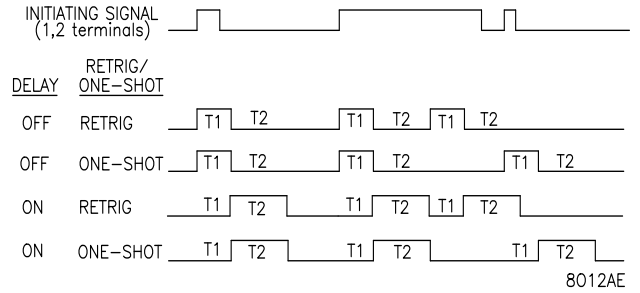
DIMENSIONS



WIRING DIAGRAM



TIMING DIAGRAM



OPERATION (refer to TIMING DIAGRAM)

1. **One-Shot Operation:** RETRIG/ONE-SHOT switch to the right:

When timer is triggered by signal on 1,2, reapplying trigger signal has no effect until time intervals T1 (left dial) and T2 (right dial) have been completed.

2. **Retriggerable Operation:** RETRIG/ONE-SHOT switch to the left:

If trigger signal is present on 1,2 when interval T2 (right dial) ends, time intervals T1 and T2 will be repeated.

3. **Delay OFF/ON:**

With Delay switch OFF, load is ON during T1 (left dial) and OFF during T2 (right dial).
With Delay switch ON, load is OFF during T1 (left dial) and ON during T2 (right dial).

NOTES

- Specify Remote option ('R' time adjust feature, see part number builder) if time adjustment potentiometers are to be mounted away from timer. Remote option can be supplied on both time ranges (T1 and T2) or on one side only.
Connect remote T1 potentiometer to terminals 3,4.
Connect remote T2 potentiometer to terminals 4,5.
- Right LED is ON when solid-state output A,B is ON.
Left LED is ON when initiating signal is present on 1,2.
- Signal applied to start timing (1,2 terminals) can be sourcing (high side) or sinking (low side). Mechanical or solid-state switches can be used.

SPECIFICATIONS	TM102-32	
Line Input (+,-)	12-30 VDC, 5% ripple max.	
Logic Input (1,2)	3-32 VDC	
Voltage	1 mA burden at 3 VDC, 35 mA burden at 32 VDC	
Current		
Load Rating (A,B)	3-32 VDC	
Voltage	1 A max	
Current	less than 100 uA	
Off-state leakage	1 VDC max	
On-state voltage drop	less than 1 mA	
Minimum load current	Buss PCB1	
Recommended fuse		
Timing		
Time range (minimum time)	0.1 sec (2 msec)	5 sec (50 msec)
(other ranges available. T1 & T2 may be different.)	0.5 sec (5 msec)	10 sec (100 msec)
	1 sec (10 msec)	50 sec (0.5 sec)
Repeat accuracy	1 msec or +/- 0.25% of dial setting, whichever is greater	
Calibration accuracy	+/- 5% of time range	
Minimum initiate time	<1 msec	
Temperature	0 to 65°C (32 to 149°F)	

FOR MORE INFORMATION CALL 203-732-6200



e-mail: sales@regentcontrols.com



OR VISIT US ONLINE AT www.regentcontrols.com